



## Main Features

- Intel® Processor N50
- Small footprint in palm size
- Pre-installed 4GB memory
- Pre-installed 128GB M.2 storage
- Support 1 x Intel® I226-V 2.5GbE LAN
- 1 x HDMI, 1 x RS-232/422/485, 2 x USB 3.2
- 1 x Mini PCIe full size for optional wireless module
- Great value for indoor applications

## Product Overview

Neu-X60 is powered by Intel® Processor N50 with low-power, highly efficient performance designed. Neu-X60 is ideal for edge computing application with limited space or low-power-consumption designs. It supports 1 x HDMI® display, 1 x 2.5GbE LAN port, 2 x USB 3.2, and 1 x RS-232/422/485 interface. Also pre-installed 4GB memory and 128GB M.2 storage in system. The Neu-X60 is well-suited for applications that needs a simple but dependable controller.

The palm-sized fanless edge computing system is dedicated to digital signage, industrial controller system, IoT gateway, self-service kiosks, indoor application and retail equipment.

## Specifications

### CPU Support

- Intel® Processor N50 (up to 3.4GHz, TDP 6W)

### Graphic

- Intel® UHD Graphics 750MHz

### Main Memory

- 1 x SO-DIMM socket, supports up to 16GB DDR4 3200MHz, non-ECC and un-buffered memory
- Pre-installed with one 4GB DDR4 memory in system

### I/O Interface-Front

- 1 x 12V DC Jack, lockable design
- 1 x HDD active LED
- 1 x Power button with LED
- 1 x RJ45 with LED for 2.5GbE LAN
- 2 x USB 3.2
- 1 x HDMI® 2.0
- 1 x DB9 RS-232/422/485

### I/O Interface-Rear

- 2 x Antenna hole

### Internal I/O

- 2 x 5-pin header for two USB 2.0 ports

### Expansion

- 1 x Full size Mini PCIe slot with nano-SIM slot onboard, support optional Wi-Fi/BT/4G module

### Storage

- 1 x M.2 Key M 2242 storage, supports both SATA & PCIe signals
- Pre-installed with one M.2 Key M 128G SSD in system

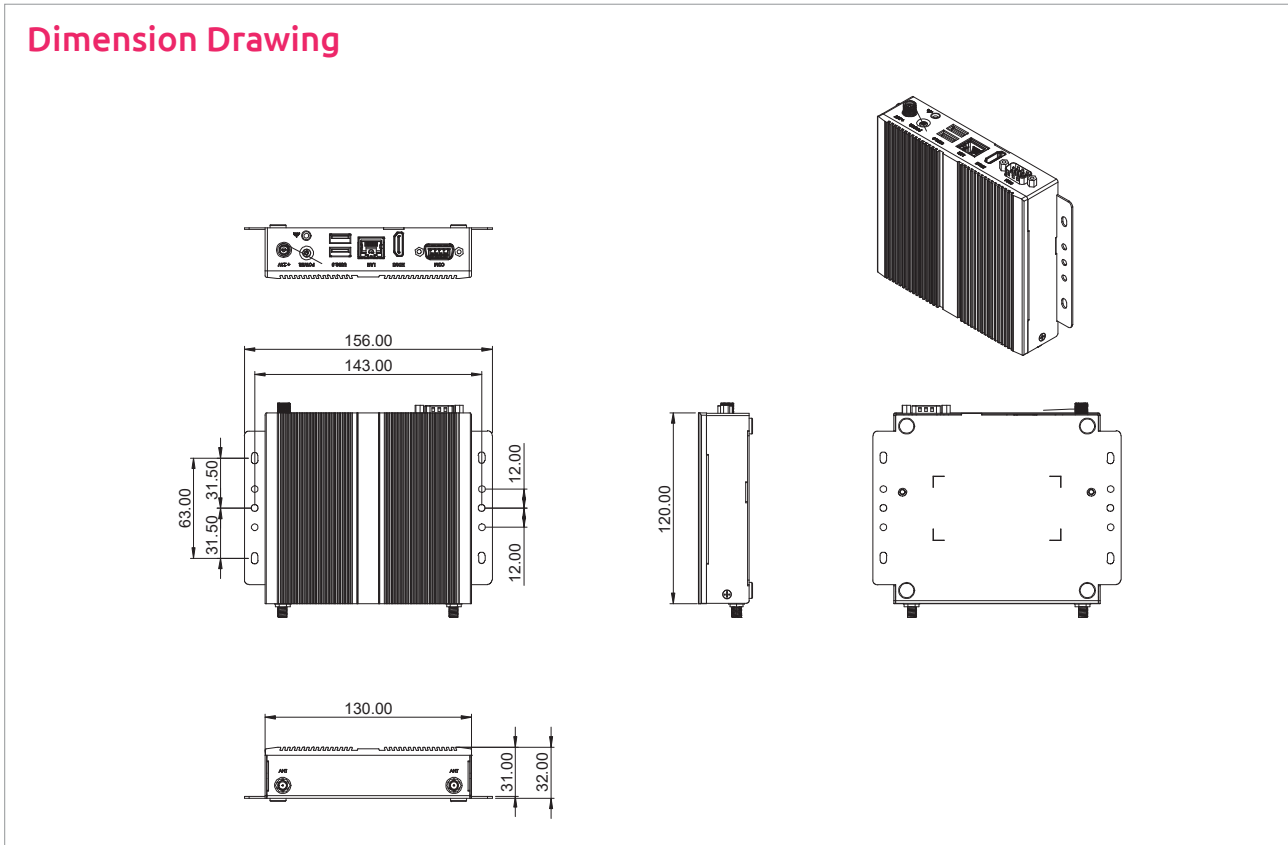
### Power Supply

- +12V DC input
- One AC/DC 12V/5A, 50W power adapter in accessory

### Environment

- Operating temperature: 0°C to 40°C ambient with 0.7m/s air flow
- Relative humidity: 10% to 95% (non-condensing)
- Vibration protection:
  - Random: 2Grms@5Hz~500Hz, IEC 60068-2-64
  - Sinusoidal: 2g@5Hz~500Hz, IEC 60068-2-6

## Dimension Drawing



### Dimensions & Weight

- System dimension: 156mm (L) x 119.6mm (W) x 31mm (H) (w/ mount bracket)
- System weight: 0.53kg
- Package dimension: 230mm (L) x 215mm (W) x 115mm (H)
- Package weight: 1.32Kg

### Operating System

- Windows 10, 64bit
- Linux 4.1

### Ordering Information

- **Neu-X60 (P/N: 10W100X6000X0)**  
Intel® Processor N50, Palm-sized Fanless Edge Computing System