



VIP 1000-T



VIP 1000-R

Main Features

- Full HD HDMI (1.4b) extender over IP
- 9-36VDC input voltage with ignition control
- E mark for in-vehicle application
- Plug and Play
- 2 x Full HD HDMI output
- Unicast, daisy chain and multicast modes support
- Selectable video source
- Up to 100 meter distance

Product Overview

VIP 1000 (VIP 1000-T & VIP 1000-R) is a new Full HD dual HDMI Extender over IP system for public transport applications that extends HDMI signals to over 100m and makes the broadcast of video in in-vehicle passenger information systems (PIS) and infotainment systems simpler and easier. To support even more displays, the receiver has another RJ-45 network port to act as an in-vehicle video DaisyChain extender. Furthermore, multiple transmitters can deliver different videos over the same network, and you can select the correct signal through a web interface.

Specifications

Transmitter: VIP 1000-T

I/O Interface-front

- 1 x Power button with LED
- 1 x LED for LAN (Active/Link)
- 1 x 10/100/1000 Mbps Ethernet
- 1 x HDMI type A
- 1 x USB2.0 OTG
- 1 x Reset button

I/O Interface-Rear

- 1 x Phoenix connector for power (9~36VDC)/GND/ignition input

Receiver: VIP 1000-R

I/O Interface-front

- 1 x Power button with LED
- 2 x LED for LAN (Active/Link)
- 2 x 10/100/1000 Mbps Lan switch
- 1 x USB 2.0 type A
- 1 x Reset button
- 2 x buttons for video source selection
- 1 x Phoenix connector for power (9~36VDC)/GND/ignition input

I/O Interface-Rear

- 1 x HDMI Type A for main output
- 1 x HDMI Type A for second output

Power Management

- System power On/Off by ignition signal

Dimensions

- 130 mm (W) x 100 mm (D) x 31 mm (H)

Weight

- 0.5 kg

Environment

- Temperature Operating temperatures: -20°C to 70°C
- Storage temperatures: -40°C to 85°C
- Relative humidity: 90% (non-condensing)

Vibration & Shock

- Vibration
 - Operating: MIL-STD-810G, Method 514.6, Category 4, common carrier US highway truck vibration exposure
 - Storage: MIL-STD-810G, Method 514.6, Category 24, minimum integrity test
- Shock
 - Operating: MIL-STD-810G, Method 516.6, Procedure I, functional shock=40g
 - Non-operating: MIL-STD-810G, Method 516.6, Procedure V, crash hazard shock test=75g

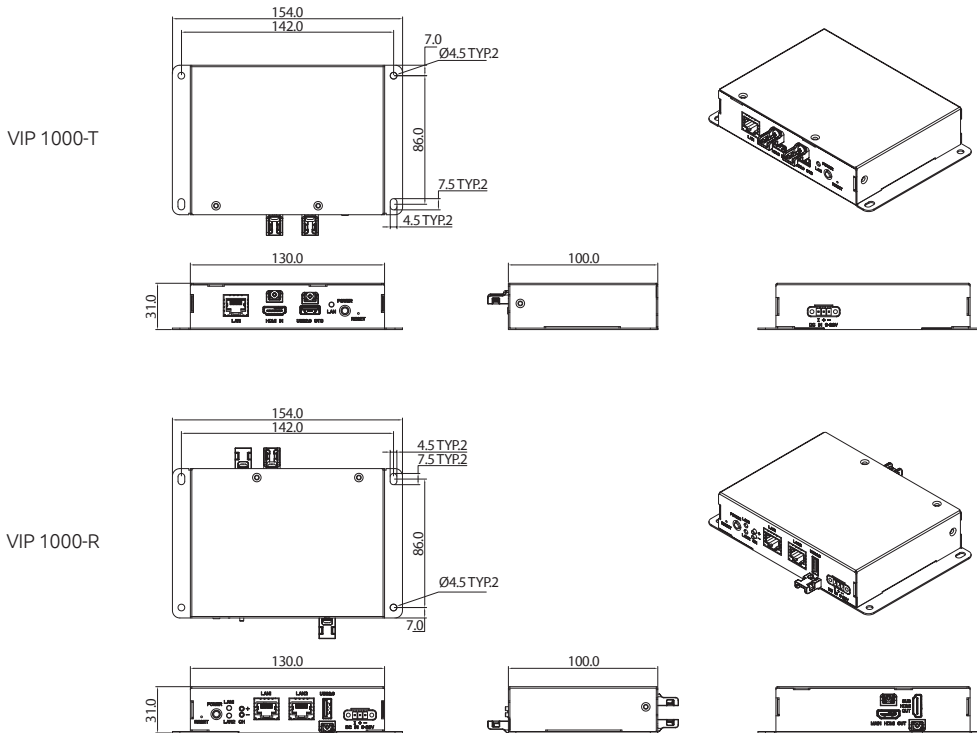
Certifications

- CE approval
- FCC Class A
- UKCA
- E13 mark

Ordering Information

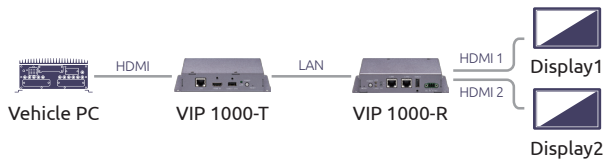
- **VIP 1000-T (P/N: 10V30100000X0)**
Full HD HDMI extender over IP (Transmitter)
- **VIP 1000-R (P/N: 10V30100001X0)**
Full HD dual HDMI extender over IP (Receiver)

Dimension Drawing

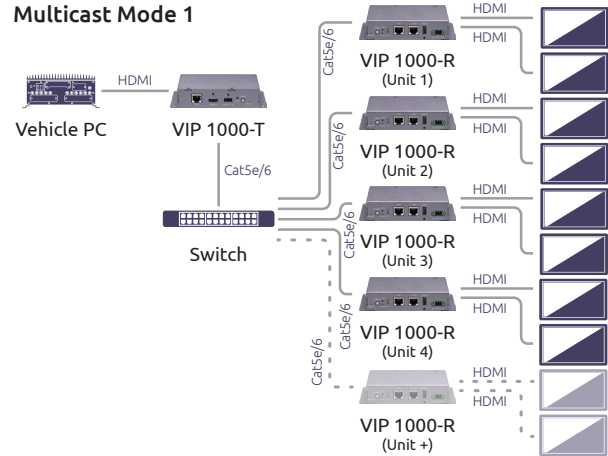


System Diagram

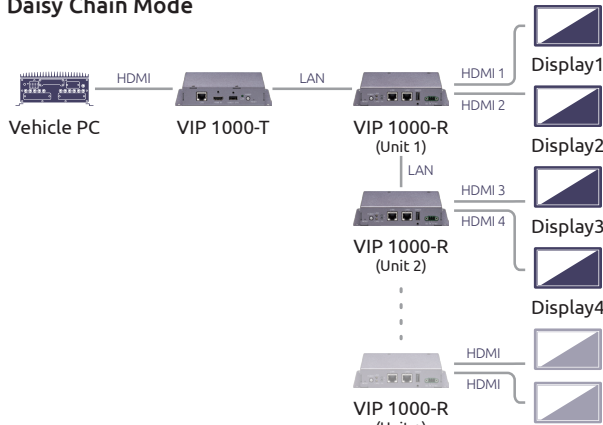
Unicast Mode



Multicast Mode 1



Daisy Chain Mode



Multicast Mode 2

