

APPC 1260T-A01

12" TFT XGA 4:3 Flush Panel PC with Intel® Processor N97,
Resistive Touch Screen, 8GB DDR5, 3 x COM, 2 x USB, 1 x USB-C



Main Features

- 4:3 12" XGA LED panel PC with 5-Wire resistive touch
- Intel® N97 Processor, Quad Core 2.0GHz, 6M Cache
- 1 x DDR5 4800MHz, 8GB default
- Support multi-Display for DP, 1 x USB Type C (DP Alt Mode)
- Dual Gigabit LAN Ports, Intel® I226-IT
- 2 x USB 3.2, 1 x Line out, 2 x RS232/422/485, 1 x RS232
- Support 1 x M.2 Key B 2242 (SATA) for storage
- IP65 compliant front panel
- Mounting support: panel/wall/stand/VESA (100mm x 100mm)
- DC power input 24VDC

Product Overview

The APPC 1260T-A01 12" XGA fan less panel PC, is powered by Intel® Alder Lake-N series processor. The front panel of the APPC 1260-A01 complies with the IP65 standard that makes it an ideal solution for demanding industrial environments.

The APPC 1260T-A01 support dual 2.5GbE connectors enable ultra-fast data transfer rates and reliable network performance. The system equipped with DP and USB Type C (DP Alt Mode) for multiple display, a mini-PCIe and M.2 slots enable support Wi-Fi/LTE/5G modules.

There is an M.2 Key B 2242 for storage and two adjustable RS-232/422/482 for various industrial equipment integrations. The APPC 1260T-A01 is perfect for integrating into general industrial equipment, offering reliable performance and extensive connectivity options.

Specifications

Panel

- LCD size: 12.1", 4:3
- Resolution: XGA 1024 x 768
- Luminance: 500cd/m²
- Contrast ratio: 700:1
- LCD Color: 16.7M
- Viewing angle: 70(U), 70(D), 80(L), 80(R)
- Backlight: LED

Touch Screen

- 5-wire resistive (flush panel type)
- Light transmission: 80%
- Interface: USB

System

- CPU: Onboard Intel® Processor N97, Alder Lake N
- BIOS: AMI BIOS
- Support TPM 2.0
- System memory: 1 x 262-pin DDR5 SO-DIMM socket
- Max.16GB (non-ECC), pre-install 8G Industrial Grade memory as the manufacture configuration for shipment
- Storage device:
 - 1 x M.2 Key B 2242 (SATA)

Rear I/O

- Power button
- 1 x 2-pin remote power on/off Terminal Block
- 24V DC input with 3-pin Terminal Block
- 2 x USB 3.2 Type-A
- Ethernet: 2 x RJ45
- 1 x DP1.4a, up to 4K@60Hz
- 1 x USB 3.2, Type C, support DP1.4a, up to 4K@60Hz
- DB9 for COM1 & COM2
 - COM1: RS232/422/485 auto flow control
 - COM2: RS232/422/485 auto flow control
- 1 x DB9 for RS232
- 1 x Line out

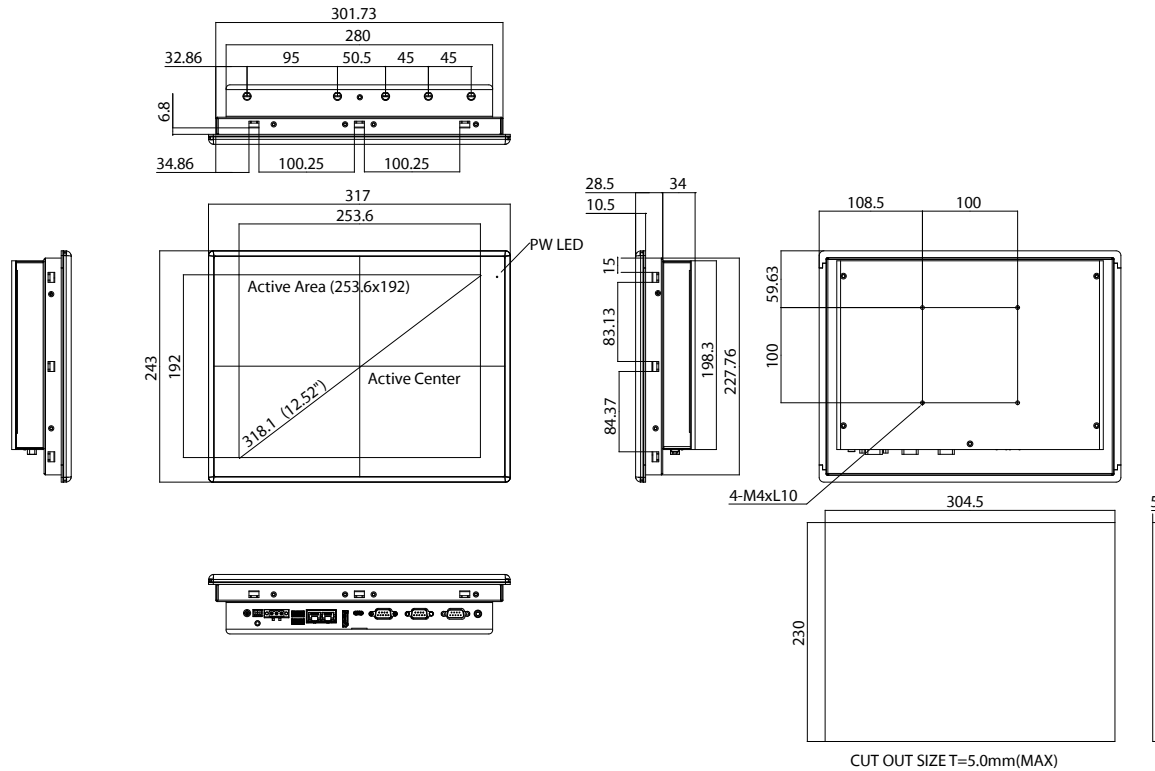
Audio

- HD audio codec: Realtek ALC888S-VD
- Audio interface: Line out

Ethernet

- LAN chip: Dual Gigabit LAN Ports, Intel® I226-IT
- Ethernet interface: 10/100/1000/2500Base-T Ethernet compatible
- Support WoL and PXE

Dimension Drawing



Internal Slot

- 1 x Mini PCIe (PCIe x1, USB 2.0, SIM) for Wi-Fi/ FBI/ LTE
- 1 x M.2 Key B 2242 (SATA) for storage
- 1 x M.2 Key B 3042/3052 (PCIe x1, USB 3.0, USB 2.0, SIM) for 5G/LTE
- 1 x Nano SIM card slot
- 1 x USB 2.0 Type A

Mechanical & Environment

- Color pantone black\RAL 15 00 front bezel w/ pantone 400C\RAL 090 80 10 metal style membrane and black silver PC box
- IP protection: IP65 front
- Mounting: panel/wall/stand/VESA 100mm x 100mm
- Power
 - Power input: 24V DC \pm 20%
 - AT/ATX power mode (default: ATX power mode)
 - Power adapter: optional AC to DC power adapter (24V DC, 60W)
- Vibration:
 - 2G@5ine, 5-500Hz, 1hr/axis (M.2 operating), IEC60068-2-64
 - 2Grms@random condition, 5-500Hz, 1hr/axis (Non-operating)
 - IEC60068-2-64
- Shock:
 - 20G@wall mount, half sine, 11ms, IEC60068-2-27
- Temperature:
 - Operating temperature: -10 °C to 55 °C (ambient with air flow)
 - Storage temperature: -20°C to 75°C
- Operating humidity: 10% to 90%, non-condensing (limits to be at 90% RH at max 50°C)
- Dimension: 317 x 243 x 62.5 mm
- Weight: 3.7kg

Certifications

- CE approval
- FCC Class A

OS Support Lists

- Windows 11
- Windows 10, 64-bit

Ordering Information

Barebone

- **APPC1260T-A01 (P/N: 10IA0126000X0)**
12.1 XGA, 5W-R, N97, DDR5 8GB, 24V, 2 x USB 3.2, 2 x LAN, 1 x DP, 1 x USB Type C, 3 x COM, 1 x Line out, w/o expansion

Options

- **24V, 60W AC/DC power adapter w/o power cord (P/N:7400060054X00)**