



Main Features

- Intel Atom® x7000RE Processor Series
- Dual HDMI 2.0, up to 3840x2160@60Hz
- TPM 2.0 on board design for security
- Dual LAN ports and 4 x USB 3.2 ports for easy connection
- Slim compact chassis and fanless design
- 1 x M.2 Key M 2242, supports PCIe x 1 & SATA for storage
- 1 x DDR4 260-pin SO-DIMM, up to 16 GB
- 1 x half size Mini PCIe slot, supports Wi-Fi/BT/4G LTE module
- Support +12 to 24V DC In

Product Overview

NDiS B339 visual edge computer, which is designed with Intel Atom® x7000RE Series SoC processors. A fanless industrial computer, the NDiS B339 is designed for edge computing applications amount Smart Retail sector and is superior in data collection within diverse environments. Equipped with a robust I/O interface, the NDiS B339 features 2 x RS232 ports, 2 x high-speed 2.5G LAN ports, 4 x USB ports, and 2 x HDMI 2.0 ports, providing seamless connectivity and versatility. Built to thrive in demanding conditions, the NDiS B339 supports a wide temperature range -20°C to 60°C, making it suitable for semi-outdoor installations, such as QSR drive through kiosks, intelligent vending machines, information stands, bus stops, or digital transit information signs. Its fanless design ensures silent and reliable operation, while the inclusion of 2 HDMI 2.0 ports enhances display capabilities for multimedia applications.

Specifications

System

- On-board Intel Atom® processor x7211RE, Dual Core, frequency up to 3.2 GHz, 6M Cache (formerly Amston Lake)
 - Intel® UHD Graphics
- On-board Intel Atom® processor x7213RE, Dual Core, frequency up to 3.4 GHz, 6M Cache (formerly Amston Lake)
 - Intel® UHD Graphics
- On-board Intel Atom® processor x7433RE, Quad Core, frequency up to 3.4 GHz, 6M Cache (formerly Amston Lake)
 - Intel® UHD Graphics

Main Memory

- 1 x DDR4 SO-DIMM, non-ECC, up to 16GB

I/O Interface-Front

- 1 x Power button with LED
- 4 x USB 3.2 Gen 1x1, Type-A
- 2 x 2.5GbE RJ45 port, Intel® i226V
- 2 x HDMI 2.0, up to 3840x2160@60Hz

I/O Interface-Rear

- 1 x 3-pin phoenix contact +12 to 24V DC input
- 2 x COM port
 - COM1: supports RS-232/RS422/RS485
 - COM2: supports RS-232
- 3 x Antenna hole

I/O Interface-Internal

- 2 x 6-pin header for 3 x USB 2.0 port
- 1 x 10-pin header for GPIO, 4 x GPI, 4 x GPO
- 1 x 4-pin pin header for 2W/4Ω speaker out
- 1 x 9-pin pin header for Mic in and Line out
- 1 x 2-pin header for Reset
- 1 x 7 pin SATA & 2 pin SATA power connector

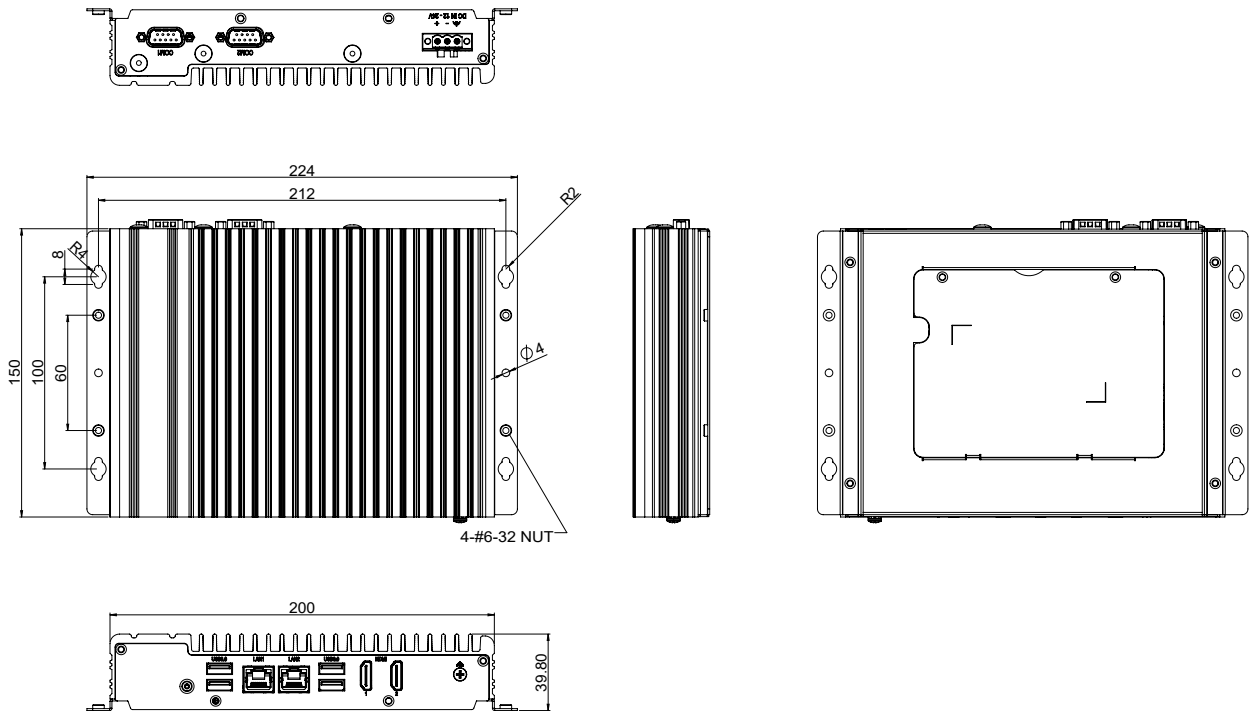
Storage

- 1 x M.2 Key M 2242 NVMe SSD (PCIe 3.0 x1, SATA 3.0)

Expansion

- 1 x half size Mini PCIe slot, supports Wi-Fi/BT/4G LTE module

Dimension Drawing



Power Requirement

- Power input: +12 to 24V DC In
- DC input type: 3-pin terminal block
- AC/DC power adapter: not include in accessory

Mechanical

- System Unit
 - Dimension: 224mm (W) x 150mm (D) x 39.8mm (H) (with mount bracket)
 - Net weight: 1.4 kg/ Unit
- Package Carton
 - Dimension: 491mm x 357mm x 302 mm
 - Gross weight: 10 kg/ (5 units / per outer carton)

Environment

- Operating temperature:
 - Ambient with air flow: -20°C ~ 60°C
 - Storage temperature: -20°C ~ 80°C
- Relative humidity: 0%~90% (non-condensing)
- Shock protection: 20g peak acceleration, 11 ms according to IEC 60068-2-27
- Vibration protection
 - Random: 2.2Grms @ 5~500Hz, 0.5hr/axis (non-operating), IEC 60068-2-64
 - Sinusoidal: 2Grms @5~500Hz, 1hr/axis, IEC 60068-2-6

Operating System

- Windows 10, 64 bit
- Win 11
- Linux

Certifications

- CE (EMC EN 55035 + EN 55032)
- FCC Class A (EMI Part 15B)
- LVD (EN 62368-1)

Ordering Information

- **NDiS B339 (P/N: 10W00B33900X0)**
Slim & Fanless Visual Edge Computer power by Intel ATOM x7213RE processor
- **NDiS B339-X7211 (P/N: 10W00B33901X0)**
Slim & Fanless Visual Edge Computer power by Intel ATOM x7211RE processor
- **NDiS B339-X7433 ((P/N: 10W00B33902X0)**
Slim & Fanless Visual Edge Computer power by Intel ATOM x7433RE processor