

XPPC 10-100

10.1" TFT WXGA 16:10 Slim Bezel, Embedded Touch Screen Computer

Powered by Intel® Celeron® Processor J3455



Main Features

- 10.1" TFT WXGA 16:10 panel
- 10-point PCAP multi-touch with slim bezel design
- IP65 protection on the front
- Support: VESA/Panel/Open Frame Mounting
- Intel® Celeron® processor J3455
- 1 x DDR3L up to 8GB, M.2 2242 Key M for storage device
- 12V DC power input

Product Overview

The 10.1" fanless touchscreen computer XPPC 10-100 incorporating an industrial motherboard is intended for versatile industrial applications. XPPC 10-100 has a touch screen LED backlight LCD panel with 1280 x 800 (WXGA) resolution and 400 nits brightness. The front panel complies with IP65 standard by panel mount makes it the perfect fit in industrial applications. XPPC 10-100 powered by Intel® Celeron® processor and support DDR3L up to 8GB, with slim design and weight optimization. XPPC 10-100 support multi-mounting choice based on different application. XPPC 10-100 can be applied in different situations, for example: restaurant, convenience store and self-ordering system.

Specifications

Panel

- LCD size: AUO G-series 10.1", 16:10
- Resolution: WXGA 1280 x 800
- Luminance
 - LCD panel: 400cd/m²
 - XPPC PCAP touch: 90% of panel's luminance after optical bonding
- Contrast ratio: 800
- LCD color: 16.7M
- Viewing angle: 89 (U), 89 (D), 89 (L), 89 (R)
- Backlight: LED

Touch Screen

- 10-point PCAP (projected capacitive touch)
- Optical bonding
- Glass surface treatment: AS (Anti-Smudge Coating for easy cleaning)

System

- CPU: Intel® Celeron® Processor J3455
- Graphic: Intel® HD Graphics

Main Memory

- 1 x SO-DIMM socket support up to 8GB DDR3L 1600 MHz, non-ECC and un-buffered memory

Storage Device

- 1 x M.2 Key M 2242 SSD (SATA 3.0)

Expansion

- 1 x Full-size Mini PCIe slot, supports Wi-Fi/BT/4G LTE module

I/O Interface - Rear

- LED for power on/off
- Power switch
- 1 x 12V DC In
- 2 x 1GbE RJ45 port
- 1 x HDMI 2.0, up to 3840x2160@60Hz
- 2 x USB 3.0
- 1 x Line out
- 1 x COM port, supports RS-232/RS422/RS485

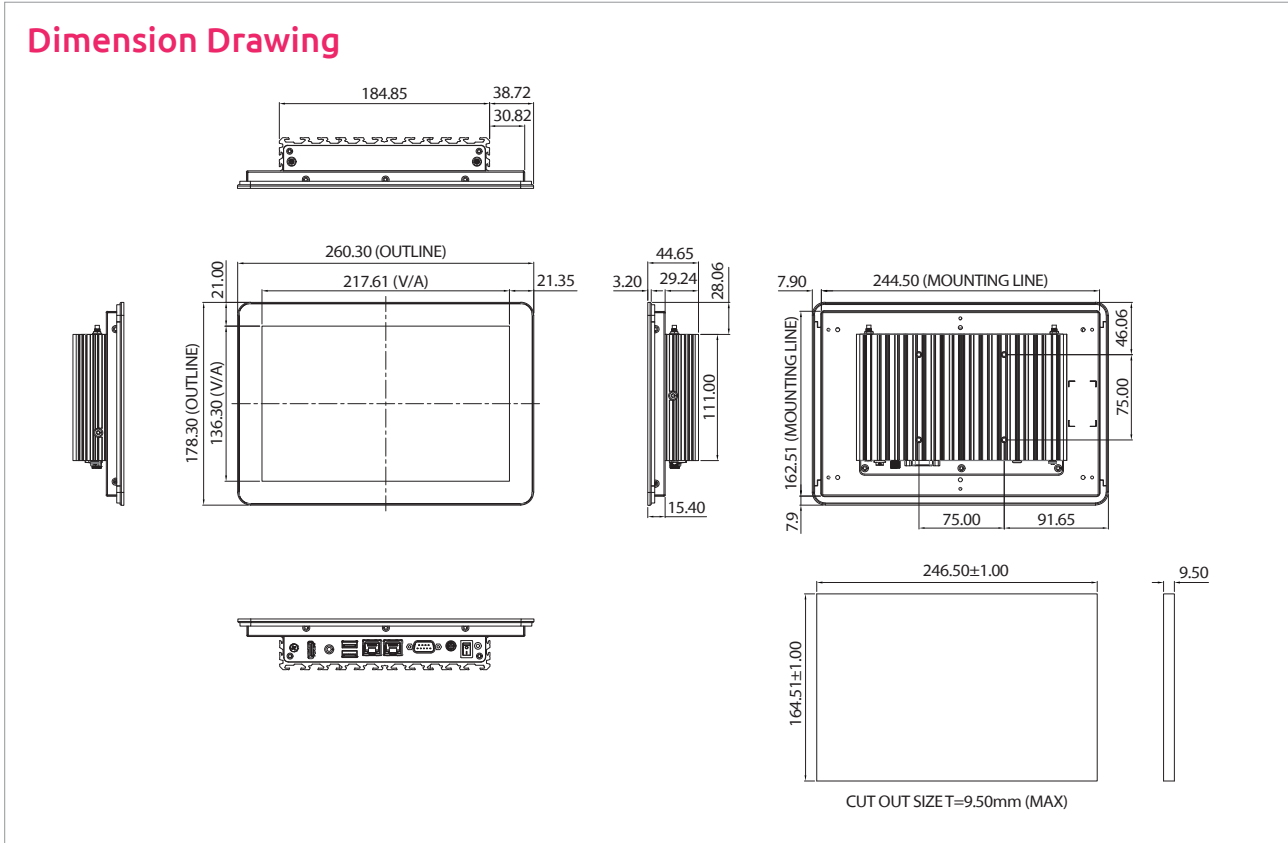
I/O Interface - Front

- 2 x Antenna hole

I/O Interface - Internal

- 1 x LVDS connector, resolution up to 1920 x 1080@60Hz
- 2 x 4-pin header for USB 2.0
- 1 x 4-pin header for Line out
- 1 x 9-pin header for COM2 port RS-232
- 1 x LCD panel INV thru 2 x 3-pin Box header
- 1 x 3-pin jumper for LCD panel voltage
- 3.3V/5V setting
- 1 x DC Power thru 2-pin pitch=3.96mm ATX connector (lockable)

Dimension Drawing



Mechanical

- System Unit
 - Dimension: 260.3mm (W) x 178.3mm (D) x 44.65mm (H)
 - Net weight: 2 kg/ Unit
- Support
 - VESA Mount 75mm x 75mm
 - Panel Mount (optional kit)
 - Open Frame (optional kit)
- Package Carton
 - Dimension: 335mm x 303mm x 160mm
 - Gross weight: 3 kg/ (1 unit / per carton)

Environment

- Operating temperature:
 - Ambient with air flow: 0°C ~ 50°C
- Storage temperature: -20°C ~ 60°C
- Relative humidity: 0%~90% (non-condensing)
- Shock protection: 20g peak acceleration, 11 ms according to IEC 60068-2-27
- Vibration protection
 - Random: 2.2Grms @ 5~500Hz, 0.5hr/axis (non-operating), IEC60068-2-64
 - Sinusoidal: 2Grms @5~500Hz, 1hr/axis, IEC60068-2-6

Power Supply

- 1 x 12V, 60W AC/DC lockable adapter included in accessory
- +12V DC In

Certifications

- CE (EN55035 + EN55032)
- FCC Class A (EMI part 15B)
- LVD (EN62368-1)

OS Support Lists

- Windows 10, 64-bit
- Linux

Ordering Information

Barebone

- **XPPC 10-100-2 (P/N: 10W30XPPC27X0)**
10.1" TFT panel PC, P-CAP, Intel® Celeron® processor J3455 w/ touch IC 81W8046, w/ optical bonding
- **Panel mount kit (P/N: 88W30XPPC02X0)**
- **Open frame kit (P/N: 88W30XPPC03X0)**